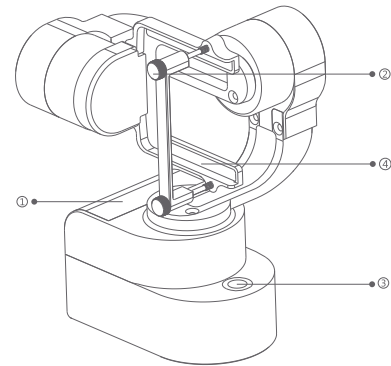


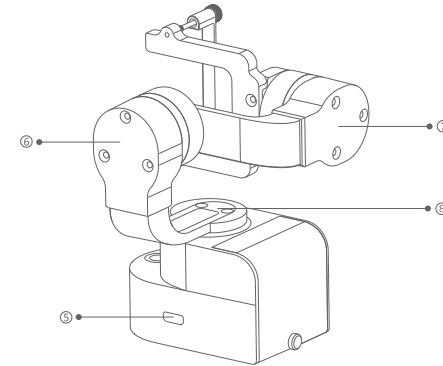


Thank you for choosing YI Handheld Gimbal

1. Getting to know the gimbal



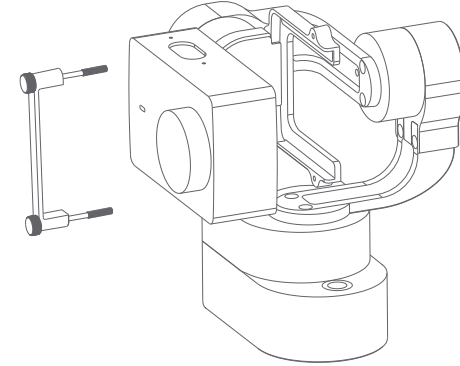
① Battery cover ② Camera bracket bolt ③ Function Button ④ Camera containing bracket



⑤ USB port ⑥ Roll knob ⑦ Tilt knob ⑧ Pan knob

2. How to use the gimbal

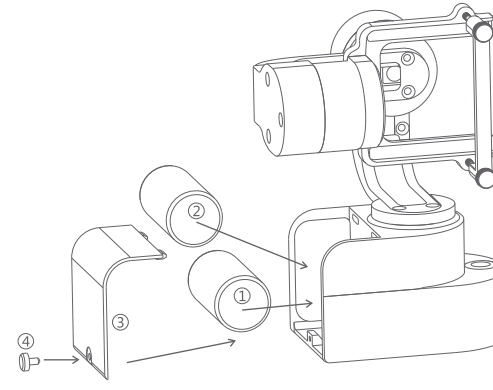
1) Insert the camera
Mount the camera carefully to the containing bracket, then tighten the screws.



Attention: Secure the camera before turning on the gimbal.

2) Insert the battery

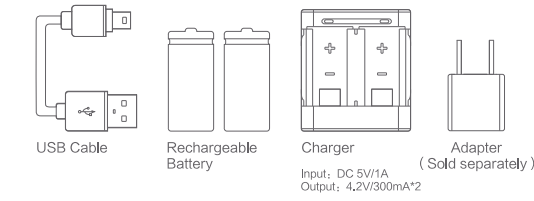
Unscrew and remove the battery cover, insert the batteries into the gimbal as shown, then put the cover back on and tighten the screws properly.



① Battery ② Battery ③ Battery cover ④ Screw

3) Charge the battery

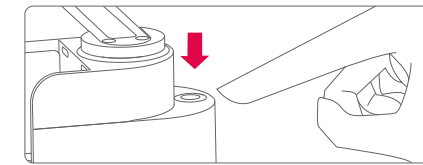
Insert the batteries in the charger and connect to a power supply. There are two status indicator lights. Red light is on when charging and green light is on when charging is complete.



Attention: The USB port on the gimbal is only for firmware update and gimbal calibration. It can not be used to charge the batteries in the gimbal.

4) Power on and off

Press and hold the function button for 3 seconds to turn on/off the gimbal.



5) Switch in between modes

Indicator	Mode	Description
Single flash	Pan Mode	Tilt and roll locked, pan axis follows the movement of the gimbal.
Double flash	Pan and Tilt Mode	Roll axis locked, tilt and pan axis follow the movement of the gimbal.
Triple flash	Lock Mode	All axis locked and the gimbal only points to one direction.
Quick flash		Low power warning! The gimbal will stop operating, please charge the batteries immediately.

Switching modes:

- Single press the button: gimbal switches to Pan or Lock Mode;
- Double press the button: gimbal switches to Pan and Tilt Mode.

Notes:

- Pan Mode is the default mode;
- In Pan or Lock Mode, single press the button to switch in between these two modes.

Skills

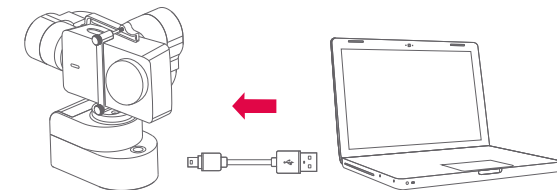
- For best quality, hold the gimbal as stable as possible, keep an even and smooth pace while walking and moving.
- Adjust tilt angle: manually adjust tilt knob to desired position and hold it for 1 second to lock the position.
- Spot shooting: to shoot a fixed object, adjust the tilt axis to the desired position, then switch to Lock Mode to fix gimbal's tilt and pan axis so that spot shooting can be done properly.

6) Product Specification

Item	YI Handheld Gimbal	Remarks
Input voltage	6.0V~12.0V(standard 8.4V)	two16350 battery, each 850mAh
Boot time		3.5 s
Tilt axis mechanical movement range	-160° ~ + 160°	
Roll axis mechanical movement range	-42° ~ + 42°	Vertical
Pan axis mechanical movement range	-160° ~ + 160°	Vertical
Tilt axis following rate	2°/s ~ 100°/s	
Pan axis following rate	2°/s ~ 150°/s	
Installation directions	The camera facing left or right is fine.	
Operating temperature	-4° F ~ 122° F	
Gimbal dimension	95mm(H) x 77mm(L) x 75mm(W)	
Gimbal weight	210g(without battery & camera)	
Battery life	2~4.5 hours	Actual battery life is dependent on usage and battery capacity.

7) USB Cable

Connect the gimbal to a computer with USB cable to update the firmware or to calibrate gimbal.



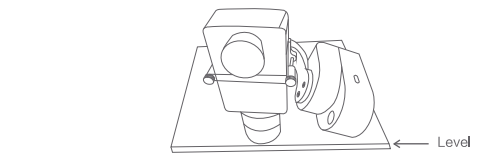
3. Gimbal Calibration

Gimbal calibration may be required in the following circumstances:

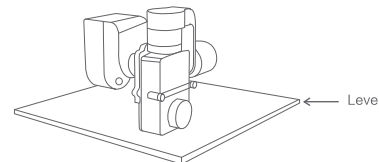
- The tilt and roll angle is not leveled with the horizontal surface.
- Under the lock mode, the panning angle drifts.

Tip 1: Offline calibration

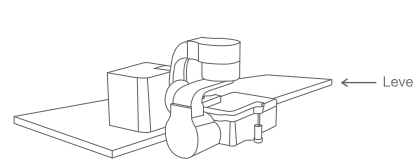
- Press the Power button to turn the gimbal on.
- Press the function button four times to enter standby mode within two seconds until the light remains on.
- Calibrate the six directions of the gimbal with the following steps:
 - Place the gimbal as followed. When successful, the light will flash three times regularly and remain on.



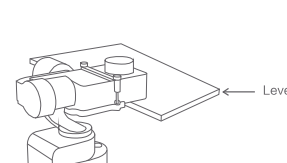
b. Place the gimbal as followed and follow step a).



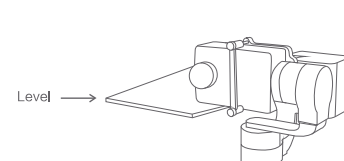
c. Place the gimbal as followed and follow step a).



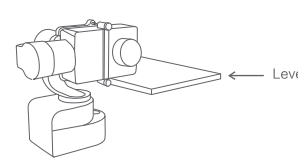
d. Place the gimbal as followed and follow step a).



e. Place the gimbal as followed and follow step a).



f. Place the gimbal as followed and follow step a). When the calibration is complete, the gimbal will automatically shut down. Restart the gimbal to confirm calibration is set successfully.



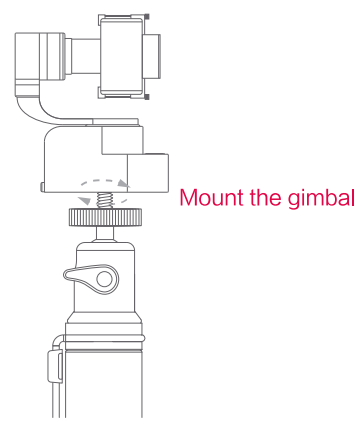
Tip 2: Online calibration
Please download "YI Gimbal Tool" from www.yitechnology.com/yigimbal/download. Watch the instructions provided by the video tutorial.

4. Firmware Update

Please download "YI Gimbal Tool" from www.yitechnology.com/yigimbal/download. Watch the instructions provided by the video tutorial.

5. Accessories

YI Handheld Gimbal is compatible with YI Selfie Stick or other 1/4" threaded mounts.



Tip: Find out more about accessories at www.yitechnology.com.

Warning and Disclaimer

- Please follow the user manual for installation and usage.
- Please install the camera securely before powering on the gimbal.
- Please charge the battery with the provided battery charger.
- Please keep the battery away from fire and heat.
- Any illegal use of this product is forbidden. Users are responsible for using this product in accordance with the instructions provided in both online and manual. YI Technology is not responsible for any damage caused while using this product.
- YI Technology reserves the right to refuse service for products obtained from unofficial channels or used for unknown purposes.
- Please contact our technical service engineers if you encounter any issues. Please note YI Technology is not responsible for improper use of the products and not reasonable, subjective judgment made by users.
- YI Technology reserves the rights to modify the product, specifications, and manual without prior notice.

"Xiaoyi" and "YI" logo are trademarks of Shanghai Xiaoyi Technology Co., Ltd.
WARNING: No naked flame sources - such as candles - should be placed on the product.
Thank you for choosing YI Handheld Gimbal.
Please read this manual carefully and store it in a secure area for future reference.
<http://www.yitechnology.com>